

ADVERS LLC

Russia, 443068, Samara, ul. Novo-Sadovaya 106

Production

+7(846)263-07-97

Sales

Autoterm LLC

Trikatas street 4, Riga, Latvia, LV-1026

+371 20110229

E-mail: sales@autoterm-europe.com

Service

Autoterm LLC

Trikatas street 4, Riga, Latvia, LV-1026

+371 25529999

E-mail: service@autoterm-europe.com



Air Heaters

PLANAR-44D-24

PLANAR-44D-12

Part and Assembly Catalog

ADVR.063.00.00.000 KDS

April 2017

This Part and Assembly Catalog is intended for PLANAR-44D air heater installation, maintenance, and repair personnel.

OOO Advers offers the following air heater models:

- PLANAR-44D-24/12;
- PLANAR-44D-24/12-01;
- PLANAR-44D-24/12-GP;
- PLANAR-44D-24/12-GP-01;
- PLANAR-44D-24/12-GP-TM;
- PLANAR-44D-24/12-GP-TM2;
- PLANAR-44D-24/12-GP-S;
- PLANAR-44D-24/12-GP-P.

The Catalog consists of the following sections:

- 1) **Air heater components** are presented as the product structure (Fig. 1) and the bill of materials (BOM), Table 1.
- 2) **Air heater** components are presented as the product structure (Fig. 2) and the bill of materials (BOM), Table 2.

The products have different control units, fuel pumps, blowers, plugs, and configurations.

The Catalog helps identify the heater parts and assemblies that may fail in operation. The numbers in the cells indicate the amount supplied as standard.

NOTE: Please specify the manufacturer's part IDs listed in the tables for ordering spare parts and components.

If you have questions on maintenance, please contact Autoterm company Technical support center +371 25529999, E-mail: service@autoterm-europe.com or visit our web site www.autoterm-europe.com

WARNING:

1. The products with the "GP" letters in their designation are equipped with glowplugs made in Japan. The GP plugs shall be tested under **9 V** (for 12 V heaters) or **18 V** (for 24 V heaters).

2. The products without the "GP" letters in the designation are equipped with the Assy.1593 glowplug. The Assy.1593 glowplugs can be tested at **12 V only!!!**

WARNING:

The GP and Assy.1593 glowplugs **are not interchangeable!** To replace an Assy.1593 glowplug with a GP glowplug the control module shall be replaced or its firmware shall be updated, and an interface glowplug harness shall be installed.



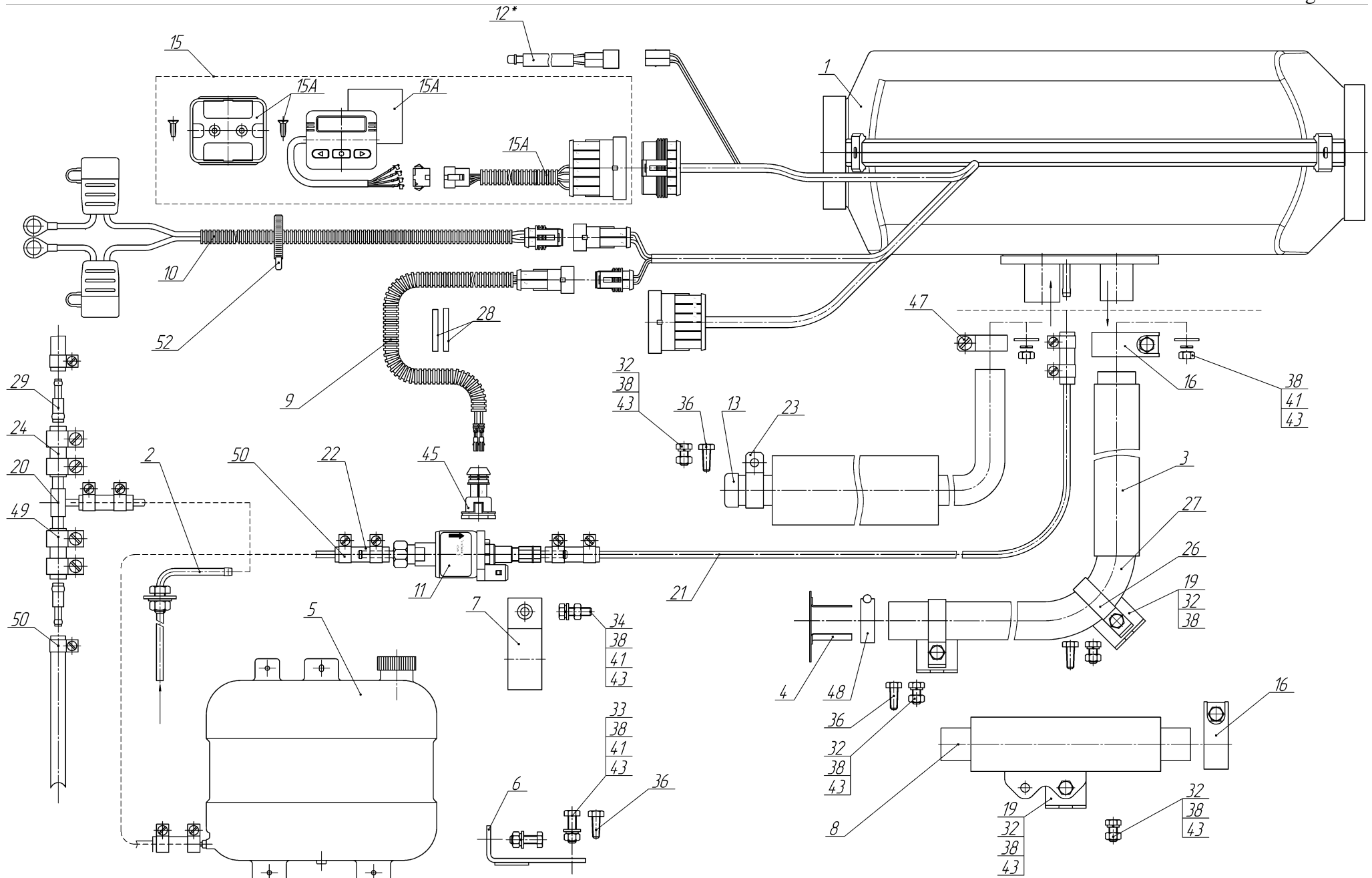


Fig. 1 - Air Heater Structure.

Table 1

Pos.	Part/Component Name and ID	Manufacturer's MQID	Remark	Configurations																		
				PLANAR-44D-24	PLANAR-44D-12	PLANAR-44D-24-01	PLANAR-44D-12-01	PLANAR-44D-24-GP	PLANAR-44D-12-GP	PLANAR-44D-24-GP-01	PLANAR-44D-12-GP-01	PLANAR-44D-24-GP-TM	PLANAR-44D-12-GP-TM	PLANAR-44D-24-GP-TM2	PLANAR-44D-12-GP-TM2	PLANAR-44D-24-GP-S-2970	PLANAR-44D-12-GP-S-2985	PLANAR-44D-24-GP-S-3140	PLANAR-44D-12-GP-S-3155	PLANAR-44D-24-GP-P-3030	PLANAR-44D-12-GP-P-3045	
	Heater Number			1	2	3	4	5	6	7	8	9	10	11	12	13	14	15	16	17	18	
1	Heater																					
	ADBP.063.02.00.000	Assy.1937	24V	1		1																
	ADBP.063.02.00.000-01	Assy.1941	12V		1		1															
	ADBP.119.01.00.000	Assy.2501	24V					1		1		1		1								
	ADBP.119.01.00.000-01	Assy.2516	12V						1		1		1		1							
	ADBP.186.01.00.000	Assy.2971	24V													1		1				
	ADBP.186.01.00.000-01	Assy.2986	12V														1		1			
	ADBP.186.02.00.000	Assy.3031	24V																		1	
	ADBP.186.02.00.000-01	Assy.3046	12V																			1
2	Fuel suction pipe																					
	ADBP.010.06.00.000	Assy.807		-	-	1	1	-	-	1	1	1	1	1	1	-	-	1	1	1	1	
3	Heat insulation																					
	ADBP.010.12.00.000-01	Assy.162		1	1	1	1	1	1	1	1					1	1	1	1			
	Insulating sleeve (25x5x450 mm)											1	1	1	1						1	1

4	Shield																				
	ADBP.010.17.01.000	Assy.866		1	1	1	1	1	1	1	1	1	1	1	1	1	1	1	1	1	
	Heater Number			1	2	3	4	5	6	7	8	9	10	11	12	13	14	15	16	17	18
5	Tank																				
	ADBP.016.01.00.000	Assy.291		1	1	-	-	1	1	-	-	1	1	-	-	1	1	-	-	1	1
6	L-profile and gasket																				
	ADBP.016.02.00.000	Assy.292		3	3	-	-	3	3	-	-	3	3	-	-	3	3	-	-	3	3
7	Fixing strap (for the fuel pump)																				
	ADBP.048.12.00.000	Assy.1467		1	1	1	1	1	1	1	1	1	1	1	1	1	1	1	1	1	1
8	Damper																				
	ADBP.051.07.00.000	Assy.2712	One exhaust pipe enclosed	-	-	-	-	-	-	-	-	1	1	1	1	-	-	-	-	1	1
	ADBP.115.01.00.000-01	Assy.3721																			1
9	Fuel pump harness																				
	ADBP.063.03.00.000	Assy.2061		1	1	1	1	1	1	1	1	1	1	1	1	1	1	1	1	1	1
10	Power harness																				
	ADBP.063.04.00.000	Assy.1693	24V	1		1		1		1		1		1		1		1		1	
	ADBP.063.05.00.000	Assy.1499	12V		1		1		1		1		1		1		1		1		1
11	Fuel pump																				
	ADBP.209.00.00.000-03	Assy.3645	TH9-6,8ml-24V	1		1		1		1					1		1				
	ADBP.209.00.00.000-02	Assy.3640	TH9-6,8ml-12V		1		1		1		1					1		1			
	Dosing pump Thomas Magnete P326 24 V											1		1							1
	Dosing pump Thomas Magnete P326 12 V												1		1						1
12	Interior sensor																				
	ADBP.081.00.00.000	Assy.1458	Optional																		
13	Air intake																				
	ADBP.063.08.00.000	Assy.1498		1	1	1	1														
	ADBP.119.02.00.000	Assy.2552						1	1	1	1	1	1	1	1	1	1	1	1	1	1



	Heater Number		1	2	3	4	5	6	7	8	9	10	11	12	13	14	15	16	17	18
15	Control panel																			
	ADBP.066.00.00.000	Assy.1355	PU-8	1	1	1	1	1	1	1	1									
	ADBP.066.01.00.000-02	Assy.2184	PU -8								1	1	1	1						
	ADBP.212.00.00.000	Assy.3340	PU -22												1	1	1	1		
	ADBP.212.00.00.000-01	Assy.3355	PU -22TM																1	1
15 A	Control panel assembly																			
	ADBP.066.02.00.000-01	Assy.2067	Interface harness																	
	ADBP.025.00.00.011	D.2256	Bracket																	
	ADBP.048.09.00.001	D.1348	Gasket																	
	Screw 3.5x13 DIN 7982 (2 pcs.)																			
16	Strap																			
	ADBP.051.03.00.000	Assy.2649													1	1	1	1	3	3
	Heavy-duty strap 26-28			1	1	1	1	1	1	1	3	3	3	3						
19	Bracket																			
	04TC.451.00.00.00.002	D.2		2	2	2	2	2	2	2	3	3	3	3	2	2	2	2	3	3
20	Tee pipe																			
	04TC.451.00.00.00.010	D.143		-	-	1	1	-	-	1	1	1	1	1	-	-	1	1	1	1
21	Fuel line																			
	ADBP.010.00.00.001	D.879	L=5,500 mm	1	1	1	1	1	1	1	1	1	1	1	1	1	1	1	1	1
22	Coupling																			
	ADBP.010.00.00.003	D.880	L=70 mm	4	4	4	4	4	4	4	4	4	4	4	4	4	4	4	4	4
23	Strap																			
	ADBP.010.00.00.010	D.845		1	1	1	1	1	1	1	1	1	1	1	1	1	1	1	1	1
24	Coupling																			
	ADBP.010.00.00.004	D.881	L=50 mm	-	-	2	2	-	-	-	-	-	-	-	-	-	-	-	-	-



	Heater Number			1	2	3	4	5	6	7	8	9	10	11	12	13	14	15	16	17	18
25	Adapter pipe																				
	ADBP.025.00.00.002	D.489		-	-	2	2	-	-	-	-	-	-	-	-	-	-	-	-	-	-
26	Strap																				
	ADBP.051.00.00.001	D.2247		2	2	2	2	2	2	2	2					2	2	2	2		
	04TC.451.00.00.00.004	D.92										2	2	2	2					2	2
27	Metal hose																				
	ADBP.051.00.00.005	D.2283	L=1,000 mm	1	1	1	1	1	1	1	1					1	1	1	1		
	ADBP.010.17.00.001	D.1106	L=1,000 mm									1	1	1	1					1	1
28	Insulator																				
	ADBP.098.32.00.002	D.2555	L=35 mm	2	2	2	2	2	2	2	2	-	-	-	-	2	2	2	2	-	-
32	Bolt M6x16 GOST 7798-70			5	5	5	5	5	5	5	5	7	7	7	7	5	5	5	5	7	7
33	Bolt M6x20 GOST 7798-70			6	6	-	-	6	6	-	-	6	6	-	-	6	6	-	-	6	6
34	Bolt M6x25 GOST 7798-70			1	1	1	1	1	1	1	1	1	1	1	1	1	1	1	1	1	1
36	Screw 6.4x16 (self-tapping)			6	6	3	3	6	6	3	3	6	6	3	3	6	6	3	3	6	6
38	Nut M6			16	16	10	10	16	16	10	10	18	18	12	12	16	16	10	10	18	18
41	Washer Ø6 (kingsize)			11	11	5	5	11	11	5	5	11	11	5	5	11	11	5	5	11	11
43	Washer Ø6			14	14	8	8	14	14	8	8	16	16	10	10	14	14	8	8	16	16
45	Connector AMR 282762-1			1	1	1	1	1	1	1	1	1	1	1	1	1	1	1	1	1	1
47	Strap Mikalor 25x40			1	1	1	1	1	1	1	1	1	1	1	1	1	1	1	1	1	1
48	Strap Mikalor 20x32			1	1	1	1	1	1	1	1	1	1	1	1	1	1	1	1	1	1
49	Strap Mikalor 10x16			-	-	4	4	-	-	2	2	2	2	2	2	-	-	2	2	2	2
50	Strap Mikalor mini or Strap ABA mini			8	8	10	10	8	8	8	8	8	8	8	8	8	8	8	8	8	8
52	Plastic strap 200x4.5			8	8	8	8	8	8	8	8	8	8	8	8	8	8	8	8	8	8



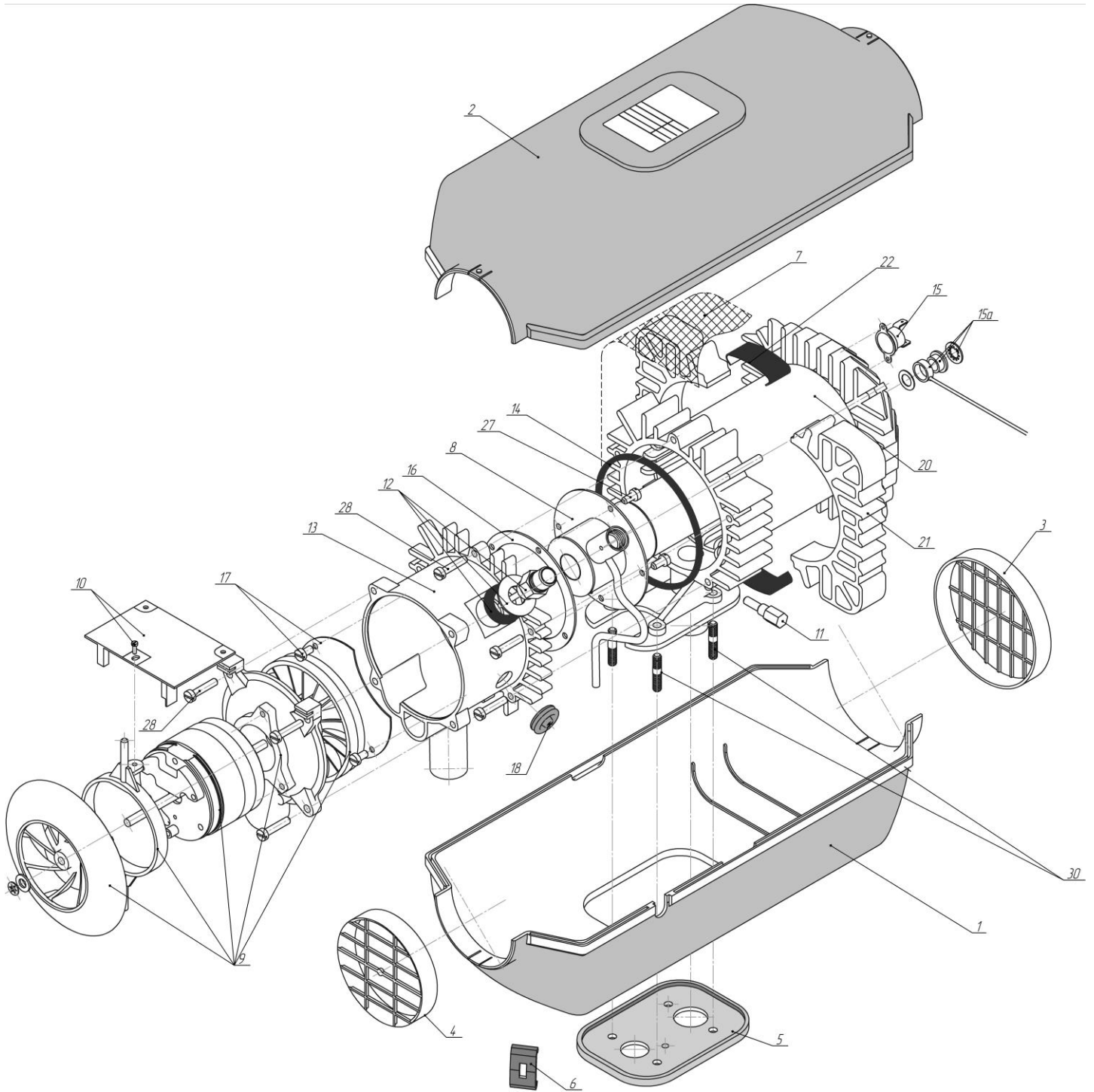


Fig. 2 - Heater Structure.

Table 2.

Pos.	Part/Component Name and ID	Manufacturer's MQID	Remark	Heaters							
				Assy.1937	Assy.1941	Assy.2501	Assy.2516	Assy.2971	Assy.2986	Assy.3031	Assy.3046
	Heater Number			1	2	3	4	5	6	7	8
1	Bottom enclosure										
	ADBP.063.01.00.001	D.1396		1	1	1	1	1	1	1	1
2	Top enclosure										
	ADBP.063.01.00.002	D.1397		1	1	1	1	1	1	1	1
3	Exhaust grid										
	ADBP.063.01.00.003	D.1398		1	1	1	1	1	1	1	1
4	Intake grid										
	ADBP.063.01.00.004	D.1399		1	1	1	1	1	1	1	1
5	Seal										
	ADBP.063.01.00.005	D.1550		1	1	1	1	1	1	1	1
6	Grip										
	ADBP.063.01.00.008	D.1683		4	4	4	4	4	4	4	4
7	Strip										
	ADBP.063.01.00.015	D.2001		1	1	1	1	1	1	1	1
8	Combustion chamber										
	ADBP.063.01.03.000	Assy.1503		1	1	1	1	1	1	1	1
9	Blower										
	ADBP.063.01.04.000	Assy.1881	24V	1		1		1		1	
	ADBP.063.01.04.000-01	Assy.1911	12V		1		1		1		1
	ADBP.119.01.01.001	Assy.3495	Gasket					1	1	1	1
10	Control module										
	ADBP.063.01.05.000	Assy.1882		1							
	ADBP.063.01.05.000-01	Assy.1912			1						
	ADBP.119.01.02.000	Assy.2503				1					
	ADBP.119.01.02.000-01	Assy.2518					1				
	ADBP.186.01.02.000	Assy.2973						1			
	ADBP.186.01.02.000-01	Assy.2988							1		
	ADBP.186.02.02.000	Assy.3033								1	
	ADBP.186.02.02.000-01	Assy.3048									1
	Screw 3.5x9.5 DIN 7981			1	1	1	1	1	1	1	1



	Washer Ø4			1	1	1	1	1	1	1	1
11	Flame detector										
	ADBP.063.01.06.000	Assy.1316		1	1	1	1	1	1	1	1
	ADBP.010.01.01.014	D.1105	Washer	1	1	1	1	1	1	1	1
12	Glowplug assembly										
	ADBP.063.01.07.000	Assy.1593	Glowplug	1	1						
	ADBP.119.01.03.000	Assy.2253	Glowplug AD-9 V			1		1		1	
	ADBP.119.01.03.000-01	Assy.2288	Glowplug AD-18 V				1		1		1
	ADBP.010.01.01.009	D.818	Washer (metallic)	1	1	1	1	1	1	1	1
	ADBP.010.01.01.010	D.859	Sleeve	1	1	1	1	1	1	1	1
	10TC.451.06.00.00.002	D.117	Ring	1	1	1	1	1	1	1	1
13	Adapter										
	ADBP.063.01.01.001	D.1551		1	1	1	1	1	1	1	1
14	Gasket										
	ADBP.063.01.01.002	D.1552		1	1	1	1	1	1	1	1
15	Overheat sensor assembly (bi-metallic)										
	55H 1894 2A06		Sensor	1	1	1	1				
	ADBP.063.01.01.003	D.1553	Plate	1	1	1	1				
	Screw M3x8 DIN7500 CE			2	2	2	2				
15 a	Overheat sensor assembly (TC)										
	ADBP.165.06.00.000-02	Assy.3058	Sensor					1	1	1	1
	ADBP.165.02.00.008 or ADBP.165.02.00.008-01	D.2660 or D.3939	Washer (mica)					1	1	1	1
	ADBP.165.02.00.009	D.2661	Insulator					1	1	1	1
	D8 STAR-LOCK C		Lock washer					1	1	1	1
16	Gasket										
	ADBP.063.01.01.004	D.1554		1	1	1	1	1	1	1	1
17	Shield										
	ADBP.010.01.01.005	D.868		1	1	1	1	1	1	1	1
	Screw 3x6 DIN 7516-A		(self-tapping)	2	2	2	2	2	2	2	2
18	Seal										
	10TC.451.01.00.00.010	D.21		1	1	1	1	1	1	1	1
20	Heat exchanger										
	ADBP.063.01.02.002	D.1555		1	1	1	1				
	ADBP.186.01.03.001	D.3257						1	1	1	1
21	Radiator										



	ADBP.063.01.02.003 ADBP.186.01.03.002	D.1556 or D.3750		8	8	8	8	8	8	8	8
22	Clamp										
	ADBP.010.01.02.003	D.882		8	8	8	8	8	8	8	8
27	Screw M5x10 DIN 7500CE			6	6	6	6	6	6	6	6
28	Screw M5x20 DIN 7500CE			9	9	9	9	9	9	9	9
30	Stud M6x18			4	4	4	4	4	4	4	4

