

**ADVERS LLC**

Russia, 443068, Samara, ul. Novo-Sadovaya 106

**Production**

+7(846)263-07-97

**Sales**

**Autoterm LLC**

Trikatas street 4, Riga, Latvia, LV-1026

+371 20110229

E-mail: [sales@autoterm-europe.com](mailto:sales@autoterm-europe.com)

**Service**

**Autoterm LLC**

Trikatas street 4, Riga, Latvia, LV-1026

+371 25529999

E-mail: [service@autoterm-europe.com](mailto:service@autoterm-europe.com)



## **Air Heaters**

**PLANAR-8DM-24**

**PLANAR-8DM-12**

### **Part and Assembly Catalog**

ADVR.020.00.00.000 KDS

April 2017

This Part and Assembly Catalog is intended for PLANAR-8DM air heater installation, maintenance, and repair personnel.

The air heater line consists of:

- PLANAR-8DM-24/12;
- PLANAR-8DM-24/12-TM;
- PLANAR-8DM-24/12-P;
- PLANAR-8DM-24/12-S;

The Catalog consists of the following sections:

- 1) **Air heater components** are presented as the product structure (Fig. 1) and the bill of materials (BOM), Table 1.
- 2) **Air heater components** are presented as the product structure (Fig. 2) and the bill of materials (BOM), Table 2.

The products have different control units, fuel pumps, blowers, and configurations.

The Catalog helps identify the heater parts and assemblies that may fail in operation. The numbers in the cells indicate the amount supplied as standard.

**NOTE: Please specify the manufacturer's part IDs listed in the tables for ordering spare parts and components.**

If you have questions on maintenance, please contact Autoterm company Technical support center +371 25529999, E-mail: [service@autoterm-europe.com](mailto:service@autoterm-europe.com) or visit our web site [www.autoterm-europe.com](http://www.autoterm-europe.com)



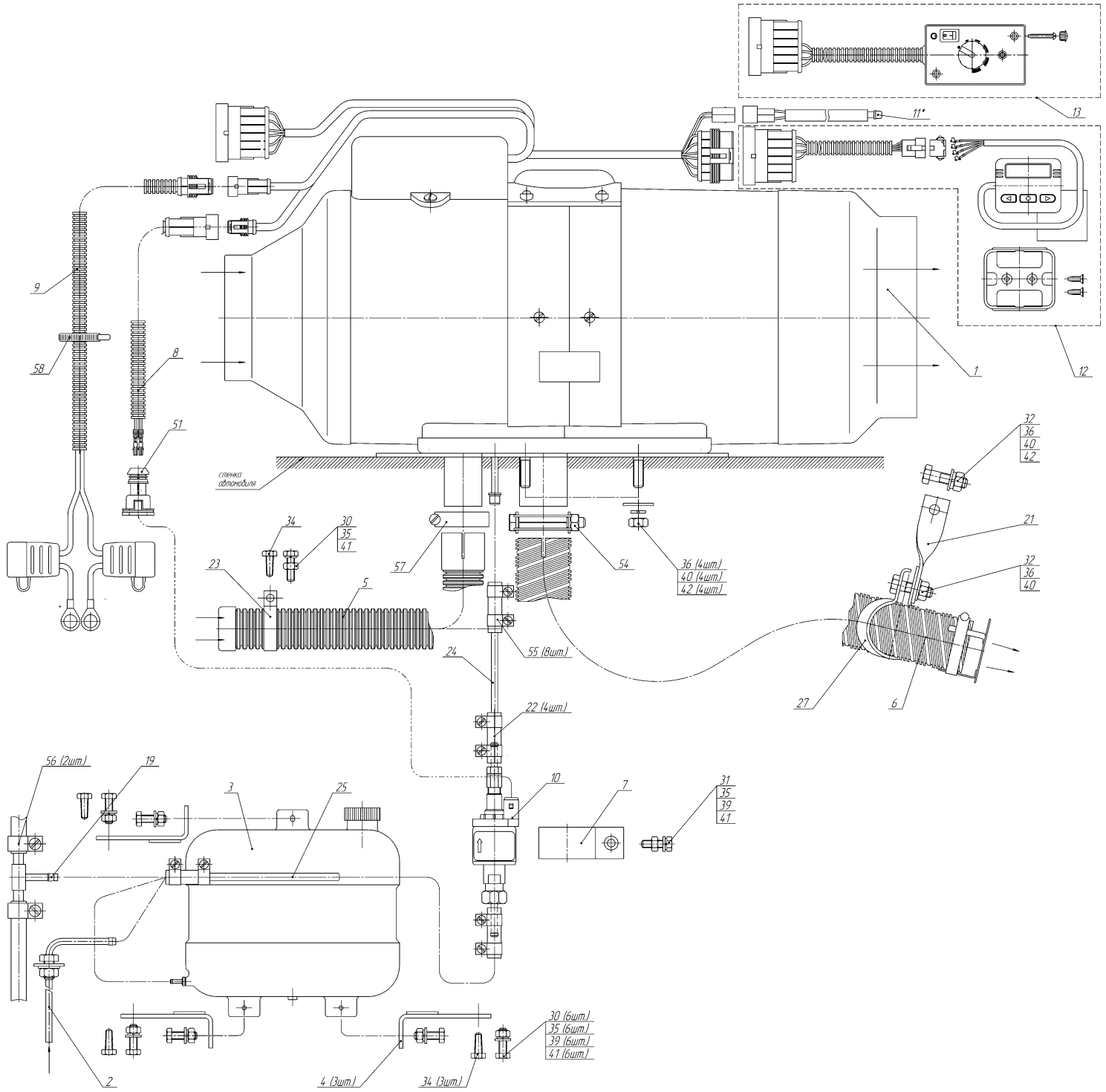


Fig. 1 Air Heater Structure.

Table 1

Pos.	Part/Component Name and ID	Manufacturer's MQID	Remark	Configurations							
				PLANAR-8DM-24	PLANAR-8DM-12	PLANAR-8DM-24-TM	PLANAR-8DM-12-TM	PLANAR-8DM-24-P	PLANAR-8DM-12-P	PLANAR-8DM-24-S	PLANAR-8DM-12-S
	Heater Number			1	2	3	4	5	6	7	8
1	Heater										
	ADVR.104.01.00.000	Assy.2251		1		1					
	ADVR.104.01.00.000-01	Assy.2312			1		1				
	ADVR.187.01.00.000	Assy.2936								1	
	ADVR.187.01.00.000-01	Assy.2951									1
	ADVR.187.02.00.000	Assy.3161						1			
	ADVR.187.02.00.000-01	Assy.3176							1		
2	Fuel suction pipe										
	ADVR.010.06.00.000	Assy.807		-	-	1	1	1	1	-	-
3	Fuel tank										
	ADVR.016.01.00.000	Assy.291		1	1	1	1	1	1	1	1
4	L-profile and gasket										
	ADVR.016.02.00.000	Assy.292		3	3	3	3	3	3	3	3
5	Air intake										
	ADVR.020.05.00.000	Assy.410		1	1	1	1	1	1	1	1
6	Exhaust pipe										
	ADVR.020.08.00.000	Assy.411		1	1	1	1	1	1	1	1
7	Fixing strap for the fuel pump										
	ADVR.048.12.00.000	Assy.1467		1	1	1	1	1	1	1	1
8	Fuel pump harness										
	ADVR.063.03.00.000	Assy.2061		1	1	1	1	1	1	1	1
9	Power harness										
	ADVR.063.04.00.000	Assy.1693	24V	1		1		1		1	
	ADVR.063.05.00.000	Assy.1499	12V		1		1		1		1
10	Fuel pump										
	ADVR.209.00.00.000-03	Assy.3645	TH9-6,8ml-24V	1						1	
	ADVR.209.00.00.000-02	Assy.3640	TH9-6,8ml-12V		1						1
	Dosing pump P326 24 V					1		1			
	Dosing pump P326 12 V						1		1		



Heater Number			1	2	3	4	5	6	7	8
11	Interior sensor (optional)									
	ADVR.081.00.00.000	Assy.1458	-	-	-	-	1	1	1	1
12	Control panel									
	ADVR.066.00.00.000	Assy.1355	PU-8	1	1					
	ADBT.066.01.00.000-02	Assy.2184	PU-8			1	1			
	ADVR.212.00.00.000-01	Assy.3355	PU-22TM				1	1		
	ADVR.066.02.00.000	Assy.1357	Interface harness 4-pin connector							
	ADVR.066.02.00.000-01	Assy.2067	Interface harness 6-pin connector							
	ADVR.048.00.00.003	D.1348	Gasket							
	ADVR.025.00.00.011	D.2256	Bracket							
	Screw 3.5x13 (self-tapping)									
13	Control panel									
	ADVR.125.02.00.000	Assy.2051	PU-10M						1	1
	05TC.451.04.00.00.004	D.115	Plug						2	2
	Screw 3.6x38.1 (self-tapping)								2	2
19	Tee pipe									
	04TC.451.00.00.00.010	D.143			1	1	1	1		
21	Bracket									
	10TC.451.00.00.00.015	D.132		1	1	1	1	1	1	1
22	Coupling									
	ADVR.010.00.00.003	D.880	L=70 mm	4	4	4	4	4	4	4
23	Strap									
	ADVR.010.00.00.010	D.845		1	1	1	1	1	1	1
24	Fuel line									
	ADVR.020.00.00.001	D.473	L=4,000 mm	1	1	1	1	1	1	1
25	Fuel line									
	ADVR.020.00.00.006	D.474	L=1,000 mm	1	1	1	1	1	1	1
27	Strap									
	ADVR.051.00.00.003	D.2206		1	1	1	1	1	1	1
30	Bolt M6x20			7	7	7	7	7	7	7
31	Bolt M6x25			1	1	1	1	1	1	1
32	Bolt M8x35			2	2	2	2	2	2	2
34	Screw 6.4x16			4	4	4	4	4	4	4
35	Nut M6			8	8	8	8	8	8	8



36	Nut M8								
	Heater Number								
39	Washer Ø6 (kingsize)								
40	Washer Ø8 (kingsize)								
41	Washer Ø6								
42	Washer Ø8								
51	Connector AMR 282762-1								
54	Strap Bosal 250-945								
55	Strap Mikalor mini 10/9								
56	Strap Mikalor 10x16								
57	Strap Mikalor 25x40								
58	Plastic strap 200x3.6								



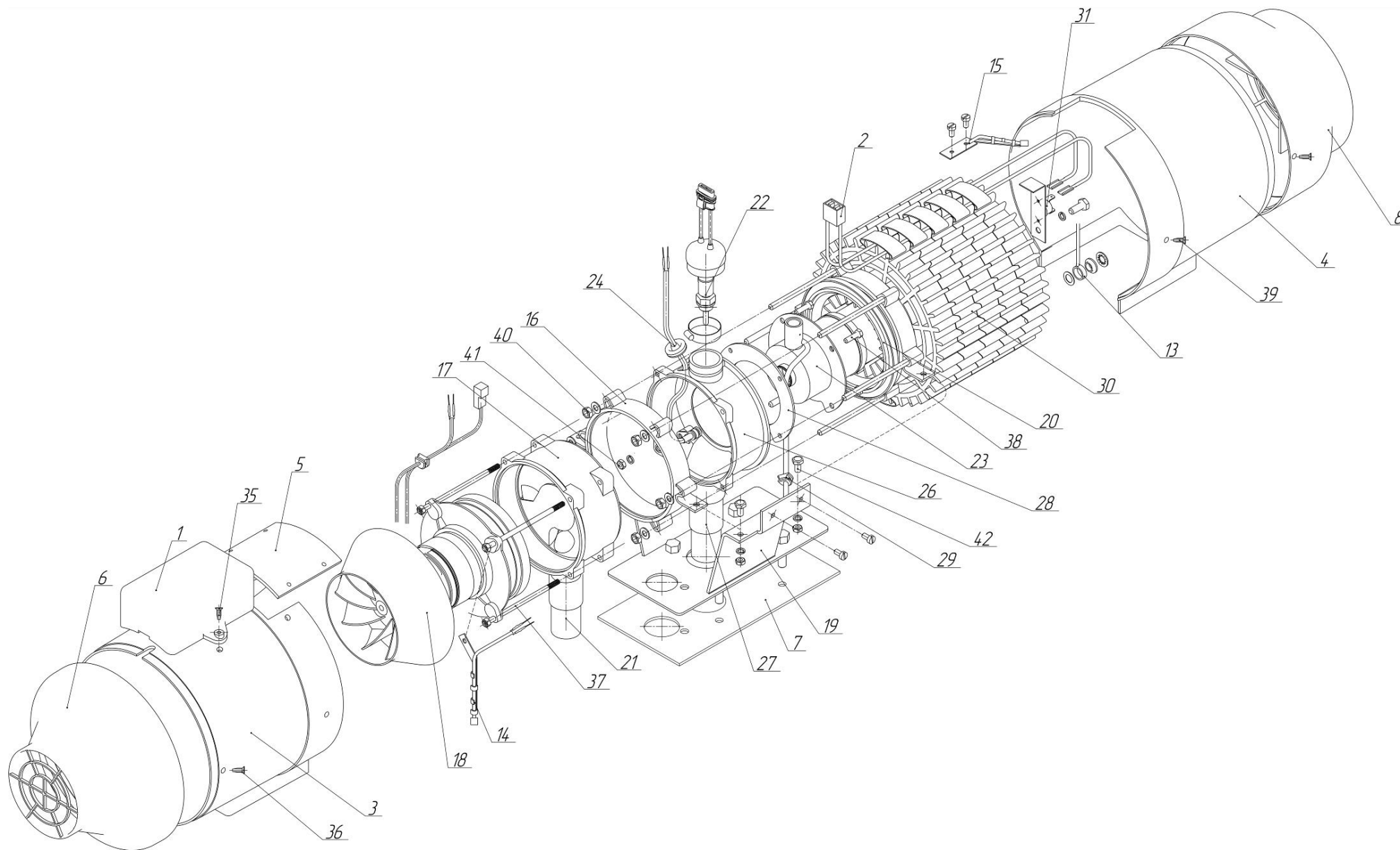


Fig. 2 Heater Structure.

Table 2.

Pos.	Part/Component Name and ID	Manufacturer's MQID	Remark	Heaters					
				Assy.2251	Assy.2312	Assy.2936	Assy.2951	Assy.3161	Assy.3176
	Heater Number			1	2	3	4	5	6
1	Control module								
	ADVR.104.03.00.000	Assy.2327	24B	1					
	ADVR.104.03.00.000-01	Assy.2314	12B		1				
	ADVR.187.01.02.000	Assy.2938	24B			1			
	ADVR.187.01.02.000-01	Assy.2953	12B				1		
	ADVR.187.02.01.000	Assy.3162	24B					1	
	ADVR.187.02.01.000-01	Assy.3177	12B						1
2	Sensor harness								
	ADVR.020.06.00.000	Assy.441		1	1	-	-	-	-
3	Enclosure								
	ADVR.020.01.00.001	D.405		1	1	1	1	1	1
4	Enclosure								
	ADVR.020.01.00.001-01	D.406		1	1	1	1	1	1
5	Cover								
	ADVR.020.01.00.003	D.471		1	1	1	1	1	1
6	Intake grid								
	ADVR.020.01.00.004	D.1682		1	1	1	1	1	1
7	Seal								
	ADVR.020.01.00.007	D.410		1	1	1	1	1	1
8	Exhaust grid								
	ADVR.020.01.00.009	D.1681		1	1	1	1	1	1
13	Temperature sensor								
	ADVR.165.06.00.000-04	Assy.3078	Temperature sensor			1	1	1	1
	ADVR.165.02.00.008	D.2660	Washer			1	1	1	1
	ADVR.165.02.00.009	D.2661	Insulator			1	1	1	1
	Lock washer D8 (latch)					1	1	1	1
14	Intake sensor								
	ADVR.187.01.01.100	Assy.3068		-	-	1	1	1	1
15	Sensor								
	ADVR.104.02.03.000	Assy.2331		1	1	1	1	1	1
16	Adapter ring								





	ADVR.020.02.01.200	Assy.446		1	1	1	1	1	1
17	Scroll housing								
	ADVR.020.02.01.600	Assy.442		1	1	1	1	1	1
18	Blower								
	ADVR.020.02.01.700	Assy.1438		1		1		1	
	ADVR.020.02.01.700-01	Assy.1527			1		1		1
*	ADVR.187.01.01.400	Assy.3532				1		1	
*	ADVR.187.01.01.400-01	Assy.3536					1		1
	Heater Number			1	2	3	4	5	6
19	Mounting bracket								
	ADVR.020.02.03.000 or ADVR.020.02.05.000	Assy.423 or Assy.471		1	1	1	1	1	1
20	Gasket								
	ADVR.020.02.00.001	D.437		1	1	1	1	1	1
21	Air duct								
	ADVR.020.02.01.004	D.427		1	1	1	1	1	1
22	Glowplug								
	ADVR.008.00.00.000	Assy.165	Glowplug	1	1				
	ADVR.196.00.00.000	Assy.3000				1	1	1	1
	14TC.451.12.01.00.001	D.198	Glowplug washer	1	1	1	1	1	1
	Strap Mikalor 25x40			1	1	1	1	1	1
23	Combustion chamber								
	ADVR.020.02.01.100	Assy.422		1	1	1	1	1	1
24	Flame detector								
	ADVR.020.02.01.900	Assy.473		1	1	1	1	1	1
26	Adapter								
	ADVR.020.02.01.001	D.425		1	1	1	1	1	1
27	Exhaust duct								
	ADVR.020.02.01.003	D.426		1	1	1	1	1	1
28	Gasket								
	10TC.451.01.00.00.004	D.16		1	1	1	1	1	1
29	Seal								
	10TC.451.01.07.00.002	D.77		1	1	1	1	1	1
30	Heat exchanger								
	ADVR.020.02.02.100	Assy.445	Heat exchanger ring	1	1	1	1	1	1



	ADVR.020.02.02.001	D.420	Heat exchanger	1	1				
	ADVR.187.01.01.201	D.3200					1	1	1
	ADVR.104.02.04.002	D.3144	Radiator (truncated)	2	2	2	2	2	2
	ADVR.020.02.02.002	D.421	Radiator	2	2	2	2	2	2
	ADVR.104.02.04.001	D.3143	Radiator (with sensor sockets)	1	1	1	1	1	1
	ADVR.020.02.02.003	D.422	Clamp	10	10	10	10	10	10
31	Overheat sensor					-	-	-	-
	Bi-metallic sensor			1	1				
	ADVR.020.02.04.001	D.454	Plate	1	1				
	Screw M3x6 DIN 7500C TOREX			2	2				
	Screw M5x10 DIN7500C TOREX			1	1				
	Washer Ø5			1	1				
35	Screw 3.9x13 self-tapping			6	6	6	6	6	6
36	Screw 3.5x16 self-tapping			6	6	6	6	6	6
	Heater Number			1	2	3	4	5	6
37	Screw M5x100			4	4	4	4	4	4
38	Bolt M5x20			3	3	3	3	3	3
	Bolt M5x25			1	1	1	1	1	1
39	Screw M5x20			4	4	4	4	4	4
40	Nut M6			6	6	6	6	6	6
41	Nut M5			1	1	1	1	1	1
42	Nut M6			4	4	4	4	4	4
	Nut M6			4	4	4	4	4	4
	Washer Ø6			4	4	4	4	4	4

\*

The heaters manufactured prior to September, 2016 were equipped with an old-type blower (Assy.1438 and Assy.1527).

The heaters manufactured after September, 2016 are equipped with a new blower (Assy.3532 and Assy.3536).

The new blowers cannot be used as spare parts for the old-type blower maintenance (due to higher rated current).